



DATASHEET

iSmartFi
WiFi5 LR
IS620



Overview

IS620 is an 11ac WiFi standard high power Ceiling Wireless Access Point, combined 1200Mbps WiFi speed over 2.4GHz(300Mbps) and 5GHz(900Mbps), make more than 80 end users can access into it. It is an economic option for hotel. School. Restaurant or other enterprise place.

FIT/FAT Operation Mode

IS620 support FIT/FAT operation mode; If FIT AP, work with AC controller, plug and play, central management by AC controller, mostly for enterprise application. If AFT AP, support AP, Gateway operation mode, can be configured by GUI, suit for home mostly.

Multiple Protection for Stanble Performance

IS620 with ABS fireproof material, white color, suite for various decoration styles. Besides that, PCB board with watchdog design, can reboot automatically in case of failure. What's more. It support lightning protection ESD protection, can install in variour harsh environment.

Power over Ethernet

IS620 has integrated IEEE802.3af Power over Ethernet (PoE), for easy installation and lower cost. So it can be installs in areas where power outlets are not readily available, eliminating the mess of altering existing network infrastructure.

Zero Configure

Support FIT/FAP Ap together, word with iSmart WLAN Controller, zero configure in IP address, ESSID Channel, Password, upgrade firmware, backup and restore...

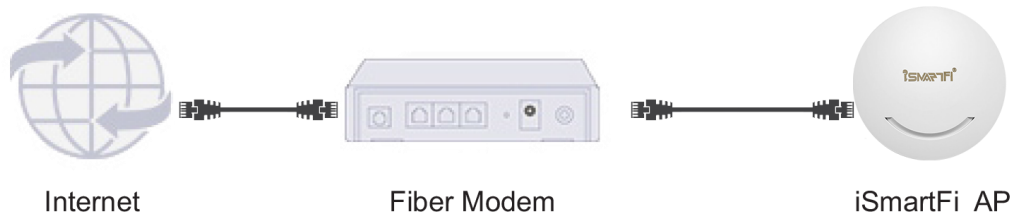
Main Features:

- Comply with IEEE 802.11b/g/n/ac, dual band, 1200Mbps Data Rate, 11ac 2x2 MIMO Technology.
- 2*10/100Mbps Ethernet Ports to meet with different customer's request.
- Support active IEEE 802.3af 48V PoE standard.
- Support SSID broadcasting, Multi SSID up to 8 (4SSID in 2.4GHz, 4 SSID in 5GHz)
- Support Gateway (PPPOE, static IP, dynamic IP), Wireless AP
- With function of build in firewall, IP filter, URL filter and MAC filter.
- Comply with IEEE 802.3az standard, RF power adjustment and frequency analyzer for better application in different environment.

Networking:

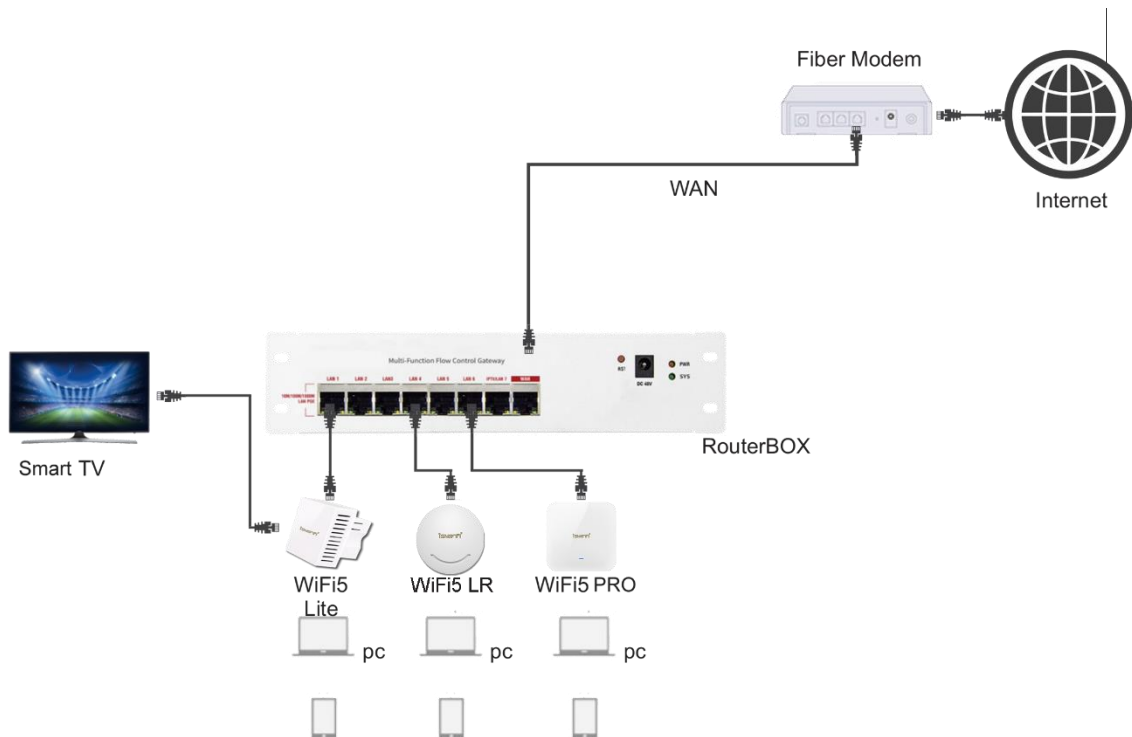
1 Small Home Application

Switch the product to fat mode, connect directly to the ADSL/Fiber modem, works as home use wireless router, cost save



2 Large Home & Villa Application

Switch the iSmartFi AP to thin model, connect with 5 ports or 8 ports Router BOX (POE Switch, routing, AC controller, IPTV all in one), saved the device cost in router system, power system and cable system.



Specification:

Model	IS620
Hardware:	
Standard	802.11b/g/n/ac, MINO
Memory	64MB
Flash	SPI NOR 8MB
Interface	1*10/100Mbps RJ45 WAN Port 1*10/100Mbps RJ45 LAN Port 1*Reset button, press 15 seconds to revert to default setting.
Antenna	Build in 5dBi 2.4GHz MINO Build in 4dBi 5.8GHz MINO Antenna
Size	188*33mm
PoE	48V; 0.5A
DC	12V; 1A
LED Indicator	Sys, 2.4G WiFi, 5.8G WiFi, LAN, WAN
Max power Consumption	< 10W
ESD	± 6KV
Surge protection	Different mode: ±2KV
RF Data:	
Frequency	2.4GHz:802.11b/g/n; 2400MHz ~ 2484MHz 5GHz:802.11a/n/ac; 5150MHz ~ 5850MHz
Country code	China, USA, Brazil, UAE, ETSI, India
Modulation	OFDM = BPSK,QPSK, 16-QAM, 64-QAM, 128-QAM, 256-QAM DSSS = DBPSK, DQPSK, CCK

Specification:

Throughput	1200 Mbps
RF Power (2.4GHz)	<20dBm
RF Power (5GHz)	<23dBm
PPM	± 20ppm
Max Users	70+
Others:	
Package Contents	1200Mbps Dual Band wireless access point Ethernet Cable Quick Installation Guide Setting Accessory
Environment	Operating Temperature -20~50°C Storage Temperature -40~70°C Humidity: 5%~95% non-condensing Storage Humidity: 5%~95% non-condensing
Management	Firmware GUI, Remote Management, WLAN Controller, Cloud Management System
Firmware Features	
Operation mode	Wireless AP; Plug and play Gateway; Dynamic IP/Static IP/PPPoE
Wireless Functions	Multiple SSID functions: 2.4GHz: 4; 5.8GHz: 4 Support SSID hidden Support SSID broadcast Support 5G Prior for a faster Ethernet Wireless Security; OPEN, WPA, WPA2, WPA-PSK, WPA2-PSK Support MAC filter Support WiFi time on/off to save energy. Support client isolation to improve the wireless stability Support RF power adjustable, adjust the RF power bases on environment.

Specification:

Device Management

Back-up the configuration

Restore the configuration

Reset to factory default

Reboot the device: including time reboot or
reboot immediately

Admin management password modify

Firmware upgrade

System log

Support firmware GUI web management, AC
controller management. Remote
management.

Protocols

IPv4